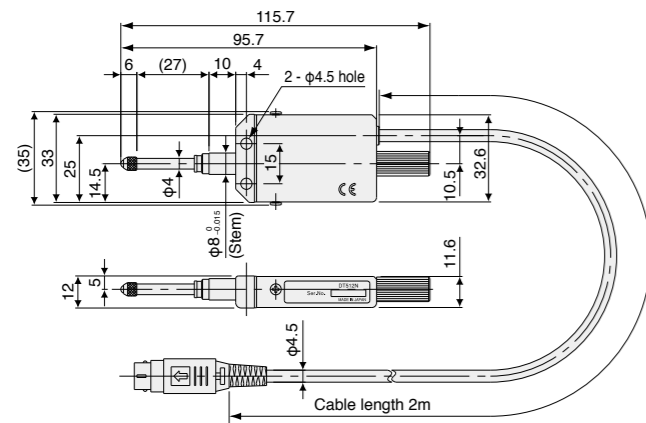


# DT DT512/12

Resolution **1μm**  
Resolution **5μm**  
Stem **φ8**  
Stroke **12mm**

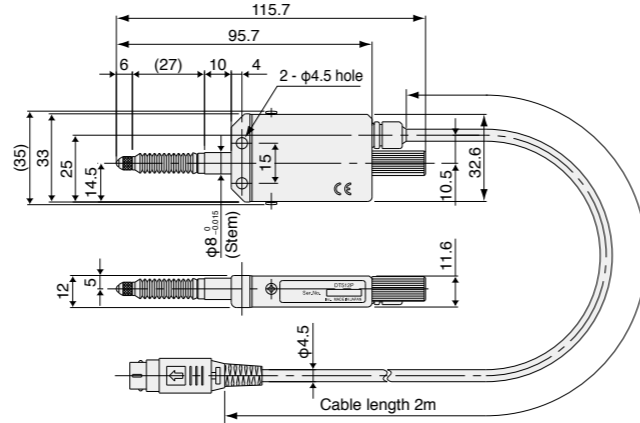


DT512N/12N



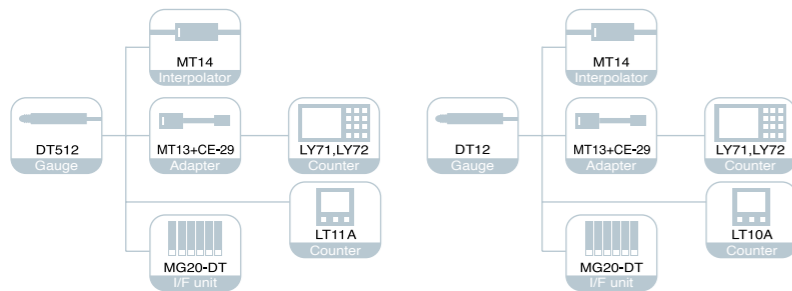
\* Upon installation, clamp the stem.

DT512P/12P



\* Upon installation, clamp the stem.

Unit: mm

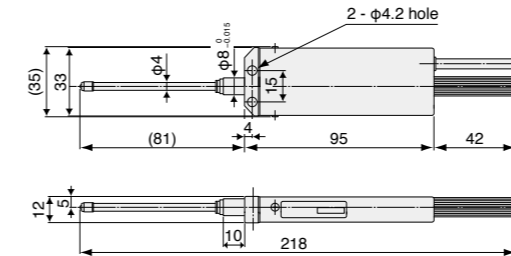


# DT DT32

Resolution **5μm**  
Stem **φ8**  
Stroke **32mm**

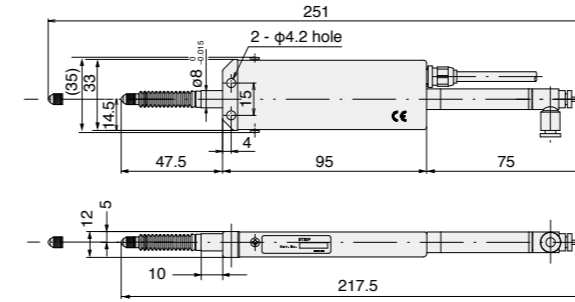


DT32N

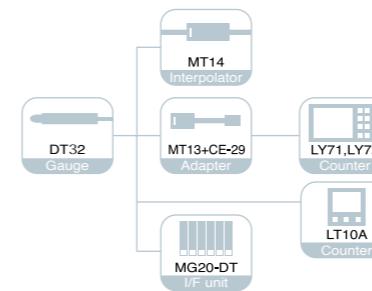


\* Upon installation, clamp the stem.

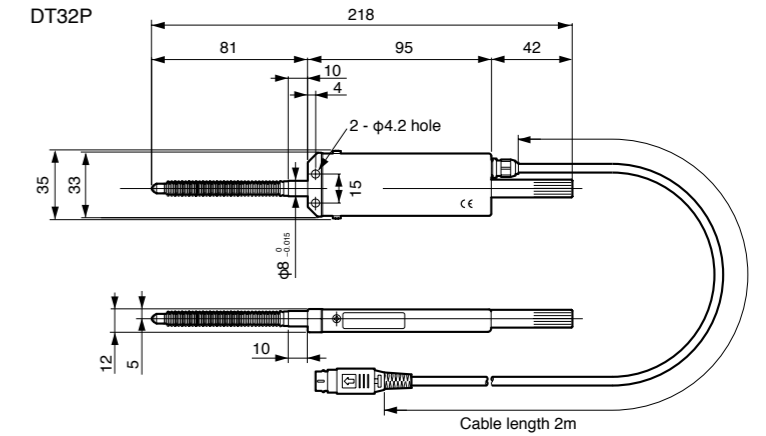
DT32PV



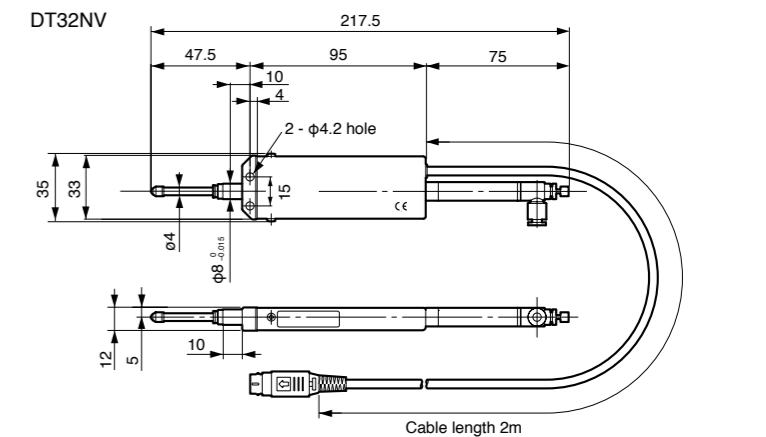
\* Upon installation, clamp the stem.



DT32P



DT32NV



Unit: mm

## Specifications

Model	Standard model		Protected type model	
	DT512N	DT512P	DT12N	DT12P
Measuring range	12 mm			
Maximum resolution	1 μm		5 μm	
Accuracy (at 20°C/68°F)	6 μm		10 μm	
Measuring force (at 20°C/68°F)	Upward: 0.7±0.5 N Horizontal: 0.8±0.5 N Downward: 0.9±0.5 N	1.7 N or less in all directions	Upward: 0.7±0.5 N Horizontal: 0.8±0.5 N Downward: 0.9±0.5 N	1.7 N or less in all directions
Maximum response speed	Depending on unit to be connected			
Reference point	None			
Spindle drive system	Spring push-out			
Protection grade <sup>1</sup>	—	IP64 or equivalent	—	IP64 or equivalent
Operating temperature	0 to 50 °C			
Storage temperature	-10 to 60 °C			
Mass <sup>2</sup>	Approx. 75 g	Approx. 80 g	Approx. 75 g	Approx. 80 g
Output cable length	2 m			
Feeler	Steel ball tip, Mounting screw M2.5			
Accessories	Instruction Manual			

\*1 Excluding the connector \*2 Excluding cable section

## Specifications

Model	Standard model		Protected type model	
	DT32N	DT32NV	DT32P	DT32PV
Measuring range	32 mm			
Maximum resolution	5 μm			
Accuracy (at 20°C/68°F)	10 μm			
Measuring force (at 20°C/68°F)	*1 Upward: 1.1±0.8 N Horizontal: 1.3±0.8 N Downward: 1.5±0.8 N		2.9 N or less in all directions	*2 9 N in all directions
Maximum response speed	Depending on unit to be connected			
Reference point	None			
Spindle drive system	Spring push-out	Pneumatic push	Spring push-out	Pneumatic push
Protection grade <sup>3</sup>	IP64 or equivalent			
Operating temperature	0 to 50 °C			
Storage temperature	-10 to 60 °C			
Mass <sup>4</sup>	Approx. 120 g	Approx. 140 g	Approx. 120 g	Approx. 140 g
Output cable length	2 m			
Feeler	Provided with a steel ball tip, Mounting screw M2.5			
Accessories	Instruction Manual			

\*1 At input air pressure of 1.96 × 105 Pa with speed controller open (DT32N) \*2 At input air pressure of 2.35 × 105 Pa with speed controller open \*3 Excluding the connector \*4 Excluding cable section